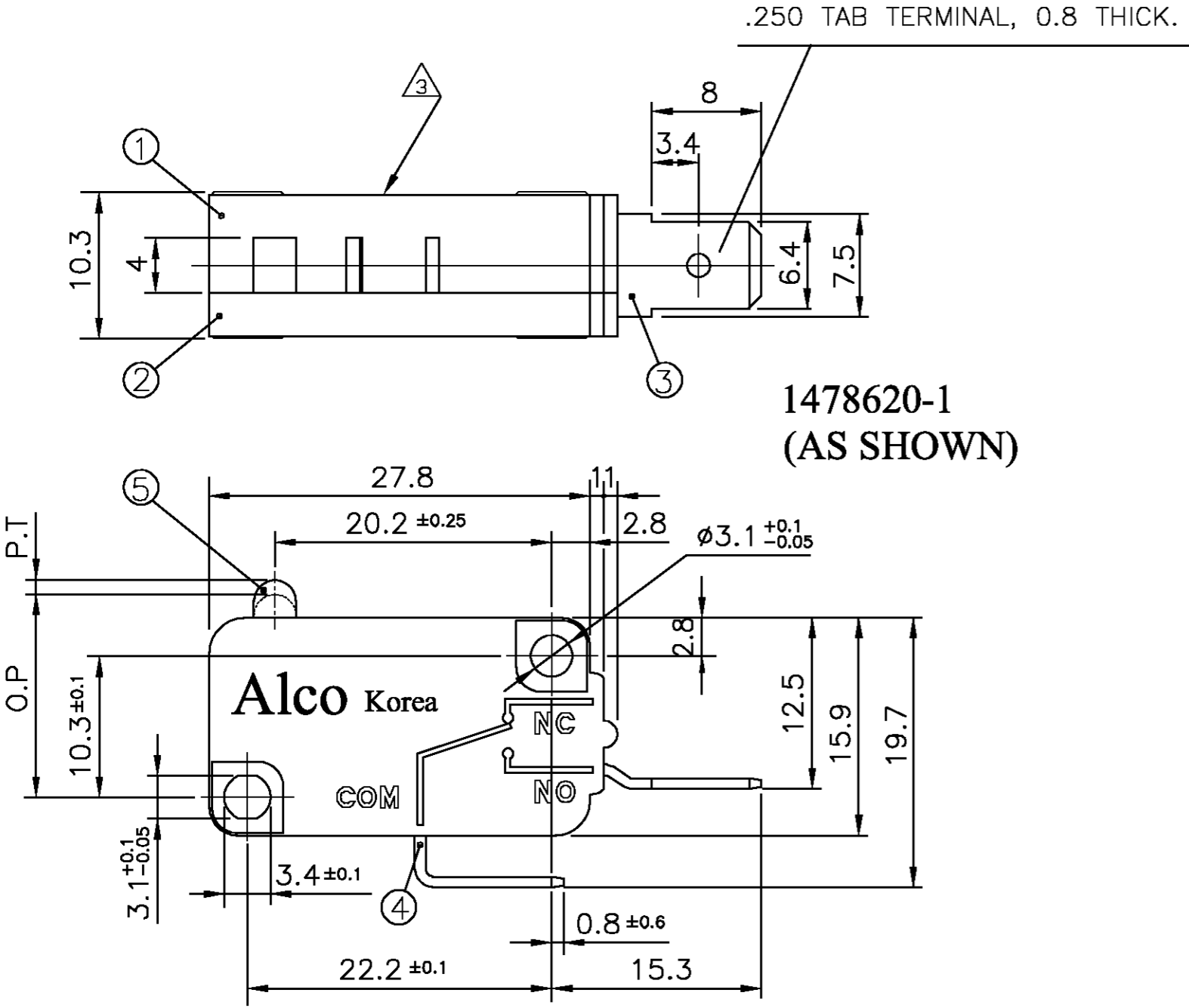


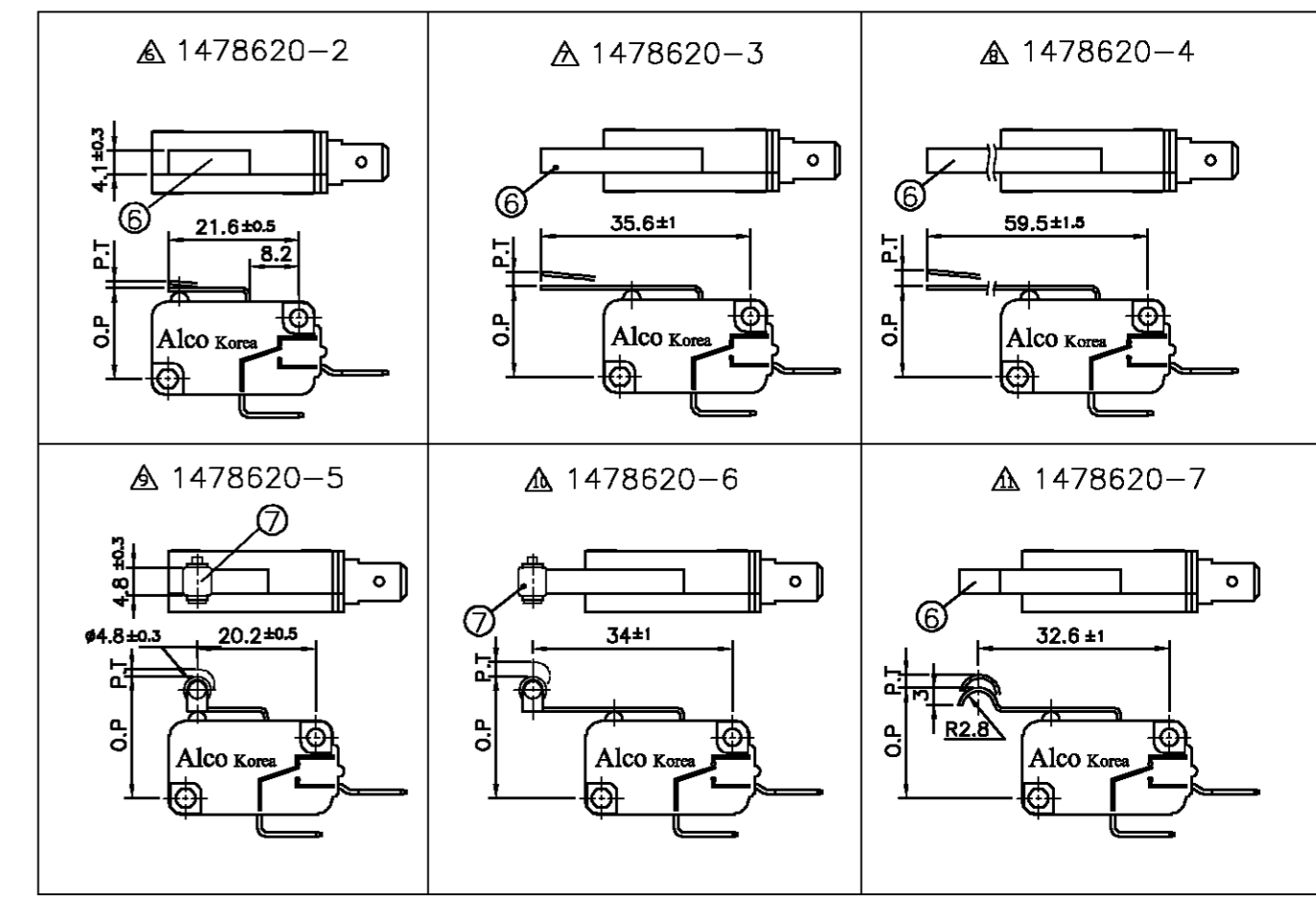
LOC		DIST		REVISIONS			
P	LTR	DESCRIPTION	DATE	DWN	APVD		
E	B	EBD0-0129-03	05-06-03	SS	JA		
D		EB00-0025-03	04-02-03	PB	JA		
C		EB00-0308-02	23-09-02	SS	JA		

SPECIFICATION DATA

	Miniature Range		
	16	5	0.1
Amp Rating			
Insulation Resistance	Min. 100M ohm		
Contact Resistance	Max 15 M ohm	Max 50 M ohm	
Dielectric Strength	Between Non-consecutive terminals AC 2,000V		
Operating Speed	0.2mm/sec - 1,000mm/sec		1mm/sec - 500mm/sec
Max allowed Mechanical Open/Close Frequencies	600 Cycles/min		300 Cycles/min
Shock Resistance (Without Lever)	300mm/sec sq (approx 30G)		
Vibration Resistance (Without Lever)	1.5mm 10-55 Hz (2Hr)		1.5mm 10 - 20Hz (2 Hr)
Electrical Life	100,000 Operations at Rated Load (Max 20 Operations/min)		1,000,000 Operations
Mechanical Life	10,000,000 Operations (Max 200 operations/min)		
Safety Approval	UL / CSA / VDE		
Operating Temperature Range	-20 deg C to 130 deg C RH85% Max		-30 deg C to 130 deg C RH90% Max
UL File No.	E60363		
CSA File No	218582		
VDE File No.	40006699		40006698

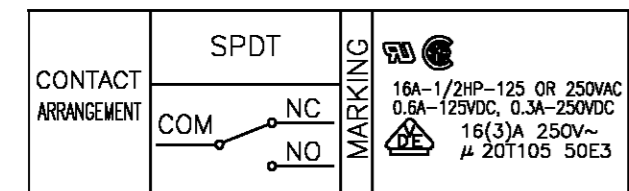


1478620-1
(AS SHOWN)



- NOTES:
- FOR TECHNICAL DATA REFER TO YOUR LOCAL TYCO ELECTRONICS SALES OFFICE.
 - ALL DIMENSIONS ARE NOMINAL. FOR REFERENCE ONLY UNLESS OTHERWISE STATED.
 - ALL DIMENSIONS ARE COMMON TO THE MAIN BODY. VARIATIONS ARE IN THE OPERATING LEVERS.
 - TYCO PART NUMBER AND LOT No. INKJET MARKED IN THIS AREA.
 - GENERAL INFO.

DRAWING NO	△	CHARACTERISTICS					
		Operating Force	Releasing Force	Pre Travel	Operating Position	Over Travel	Movement Differential
1 1478620-1	—	Max 300g	Min 70g	Max 1.6 mym	14.8 ±0.4 mym	Min 0.8 mym	Max 0.4 mym
2 1478620-2	△	330g	70g	1.6 mym	15.4 ±0.4 mym	0.8 mym	0.4 mym
3 1478620-3	△	180g	30g	4.0 mym	15.4 ±1.4 mym	1.3 mym	1.2 mym
4 1478620-4	△	90g	15g	7.5 mym	15.4 ±3.0 mym	2.6 mym	2.4 mym
5 1478620-5	△	350g	70g	1.6 mym	20.7 ±0.8 mym	0.8 mym	0.4 mym
6 1478620-6	△	180g	30g	4.0 mym	20.7 ±1.6 mym	1.3 mym	1.2 mym
7 1478620-7	△	180g	30g	4.0 mym	18.6 ±1.5 mym	1.3 mym	1.2 mym



7	ROLLER	(1)
6	LEVER	(1)
5	BUTTON	1
4	COMMON TERMINAL	1
3	TERMINAL	1
2	COVER	1
1	BOX	1
NO	PART NAME	Q'TY

TYCO SALES PART No.	TYCO PART NO.	DESCRIPTION	COLOUR	QTY	PACK DESC
MP16-NO-CSMF	△ 1478620-7	Microswitch, Simu Lever	Blue	1000	CARTON
MP16-NO-CNRF	△ 1478620-6	Microswitch, Norm Roller	Blue	800	CARTON
MP16-NO-CSRK	△ 1478620-5	Microswitch, Short Roller	Blue	1000	CARTON
MP16-NO-CLLC	△ 1478620-4	Microswitch, Long Lever	Blue	600	CARTON
MP16-NO-CNLF	△ 1478620-3	Microswitch, Norm Lever	Blue	800	CARTON
MP16-NO-CSLJ	△ 1478620-2	Microswitch, Short Lever	Blue	1000	CARTON
MP16-NO-COLI	1478620-1	Microswitch, Pin Plunger	Blue	1000	CARTON

THIS DRAWING IS A CONTROLLED DOCUMENT.

DWN	P. Bates	04FEB2003	Tyco Electronics Corporation Stanmore, Middlesex, HA7 4RS
CHK	C. Kaminski	17-10-01	
APVD	C. Kaminski	17-10-01	
PRODUCT SPEC			
APPLICATION SPEC			NAME
			MICRO SWITCH 16A TAB TERMINAL 300g RANGE
			SIZE
			A2
			CAGE CODE
			00779
			DRAWING NO
			C=1478620
			RESTRICTED TO
			—
			SCALE
			1:1
			SHEET
			1 OF 2
			REV
			E


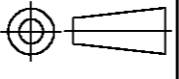
THIS DRAWING IS UNPUBLISHED. RELEASED FOR PUBLICATION
 © COPYRIGHT 2001 BY TYCO ELECTRONICS CORPORATION. ALL RIGHTS RESERVED.

LOC		DIST		REVISIONS			
P	LTR	DESCRIPTION	DATE	DWN	APVD		
E	B	E	EBD0-0129-03	05-06-03	SS	JA	

MAJOR COMPONENT & MATERIAL LIST

NO	PART NAME	MATERIAL	Q'ty	UL FRAME	FINISH (COLOR)
1	CASE	P.B.T RESIN	1	94 V-0	
2	COVER		1		
3	MOVABLE CONTACTOR	Brass Sheet t=0.4	1		SILVER PLATING
4	GUIDE PLATE	Brass Sheet t=0.8	1		SILVER PLATING
5	COMMON TERMINAL	Brass Sheet t=0.8	1		SILVER PLATING
6	PLATE SPRING	Beryllium Copper Sheet (t=0.1~ 0.25)	1		
7	TERMINAL AID	Brass Sheet (t=0.8)	1		
8	CONTACT	Ag alloy (AgCdO, AgSnO2)	2		
9	TERMINAL	Brass Sheet (t=0.8)	1		SILVER PLATING
10	ACTUATOR	PHENOLIC RESIN	1	94 V-0	
11	LEVER	Stainless Steel Sheet (t=0.6)	(1)		

() = Where Applicable

THIS DRAWING IS A CONTROLLED DOCUMENT.		DWN S.Shackson 05JUN2003	 Tyco Electronics Corporation Stanmore, Middlesex, HA7 4RS	
DIMENSIONS: MM		CHK F.Wheeler-King 05JUN2003		
		APVD F.Wheeler-King 05JUN2003	NAME MICRO SWITCH 16A TAB TERMINAL 300g RANGE	
TOLERANCES UNLESS OTHERWISE SPECIFIED:		PRODUCT SPEC -	SIZE A2	
0 PLC ± -		APPLICATION SPEC -	CAGE CODE 00779	DRAWING NO C=1478620
1 PLC ± -		WEIGHT -	RESTRICTED TO -	
2 PLC ± -		CUSTOMER DRAWING		
3 PLC ± -		SCALE 1:1		
4 PLC ± -		SHEET 2 OF 2		
ANGLES ± -		REV E		
FINISH -				